

Stretched Membrane

Stretched PVC Ceiling & Wall System

Technical Data sheet

Description.

We Are A Professional Stretch Ceiling Manufacturer

Foxygen Group is a world-leading supplier of stretch ceiling materials, wall and floor decorations. We are specialized in this field for more than 10 years, with the strength of PVC stretch ceiling films and all relevance stretch ceiling accessories (pvc harpoon), 3D PE Foam Wall Stickers, Custom mural wallpapers, SEG Fabric Led backlit light box and PVC floorings with a great quality and competitive pricing.

With no MOQ (minimum order quantity), an experienced Research and Development team, a complete production lines and unequalled responsiveness, Foxygen is now the top-volume Chinese source of stretch ceiling materials and its accessories, Foxygen means the best solutions for your ceilings and walls.

LED's from our cooperative engineer & president Mr Hayden Weng and his strong team. The total Foxygen- related sales are growing every year. We offer everything, from the production to package, each with strict processes front to back - beginning with raw materials sourcing, through to QC and shipping.

Application.

Used for interior Ceiling and Wall Decoration

Such as : Hotel, Restaurants, shopping center, shopping mall, airport, school, bathroom, stadium, clubs, exhibitions, office decoration , home decoration and so on ..

Composition.

Net Weight: 240-320 g/m²

Afford Weight: 195kg/square meter

Thickness: 0.18 mm±10 percent

Translucent rate: 75%(translucent film),25-30%(lacquer film), 35-40% (matte film), 10-25% (suede film)

Working temperature: -30~65 degrees

Maximum tensile strength: up to 17 MPa

Ultimate tensile strength: 30 N (both lengthwise and edgewise)

Light absorption coefficient: 30 percent (film canvases with mirror effect)

Shore hardness number: 41±2

Benefits.

DESIGN

- bring out the creativity
- large variety of possible designs in Tradition
- variety of designs until the infinite
- adapt to any surface, any form, any situation, any place
- allow all the forms : horizontals, rounds, inclined, in 3D
- realize any new design



MODULARITY

- allow at all moments, in a few minutes, the unhooking of the ceiling
- adapt to all the styles, with all the places of life thanks to the choice of textures and colours
- the installation of new lights, units and technical ducts is always done by approved professionals.
- the tracks are fixed on the perimeter of the walls at desired height

SIMPLICITY

- dry and clean installation
- installation is made by approved professionals

ACOUSTIC AND AESTHETIC

- acoustic joins to the insulating materials for a good acoustic correction of the buildings
- powerful tests of acoustic correction in the school buildings
- refines musical audition
- optimal acoustic absorption in the offices, profit from the techniques for the integration of all types

LIGHTNING

- incorporate the suspended and integrated lights, spots, optical fibres
- on the large surface, the ways of light form separators
- rails, luminous separators can be integrated into the separators
- ceilings and mural translucent multiply the lights by reflecting them

WATERPROOF

- are insensitive to the moisture, to the condensation, effective vapour barrier
- are appropriate for the places with high hygrometry
- can be washed with water in the majority of their textures
- are impermeable to the water. Often the rooms in the case of water damages are protected from the water, the ceiling is forming a pocket of reserve at the time of the infiltration of water and by regaining their initial shape after draining

ECOLOGY & RECYCLABLE

- respect the environment - use not much of energy
- 1000 square meters of ceiling represent < 180 kg of material for a volume of 0,10 cubic meter (a ceiling in skirting-board of the same dimension represent 50 cubic meters of trees)
- long lifetime
- recycling to 100%
- non toxic (in conformity with the European and international standards)

SAFETY

- ceilings firebreak (in complex), incorporate all the safety appliances
- answer the safety requirements - classification M1
- were the subject of approvals of the Ministry of the Interior in France and the organizations of safety and salubrity of France and many countries
- by their low weight, do not wound in the event of explosion or of earthquake
- do not accumulate static electricity in the plenum

ECONOMY

- Ceilings are guaranteed by the manufacturer: 10 years against all hidden defects of manufacture: welding of harpoons and breadths
- excellent quality - price ratio, long life of the installation
- no dirty maintenance
- protect the frames, the concrete or steel structures, the under-faces of roofs
- present a double aspect of energy saving: lower volume to be heated, reduction of the heat losses outwards



DURABILITY

- resist to the cold and the heat
- their tension is constantly maintained
- resist to the sea water, chlorine, the majority of the gas vapours such as formal, ether, trichloroethylene...
- are insensitive with x-rays
- resist to significant loads caused by the water damages

MAINTENANCE

- allow at all moments, in a few minutes, the unhooking of the ceiling
- facilitate the access to the plenum in the case of water damages, repairs of technical units, and take again their initial tension
- are cleaned up with the adequate products (except brushed suede)
- the installation of new lights, units and technical ducts is always done in connection with the installer

THERMAL INSULATION

- with the ceiling or high hollow block floor, creates a layer of air
- the layer of air, like a double glazing, forms an insulating cushion and prevents the formation of spectrums of condensation on the fabric
- decrease the heat losses of the floors of the roofs
- decrease volumes to be heated while being installed easily with desired height
- are combined with the heat insulation for excellent results

Technical Specifications

colour finishes:

Over 300 colours are available, contact Asona.

Environmental impact:

PVC is 100% recyclable at the end of its life cycle.

Fire Reaction:

Fire Group Rating: 2

NZ Building Code:

Clause B2.3.1—durability, 5 years

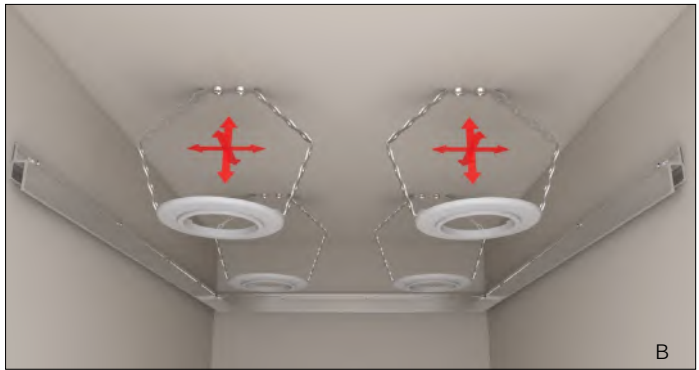


Spot light installation.

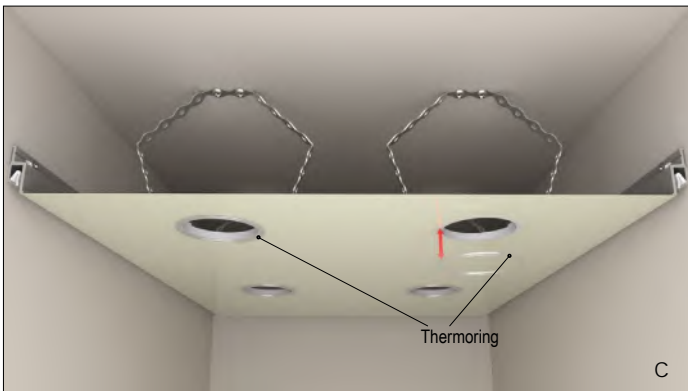
Stretch ceiling installation techniques ensure stable and aesthetic installation for all types of incorporated lighting. Spots are connected to the existing ceiling by using thermo rings and under constructions.



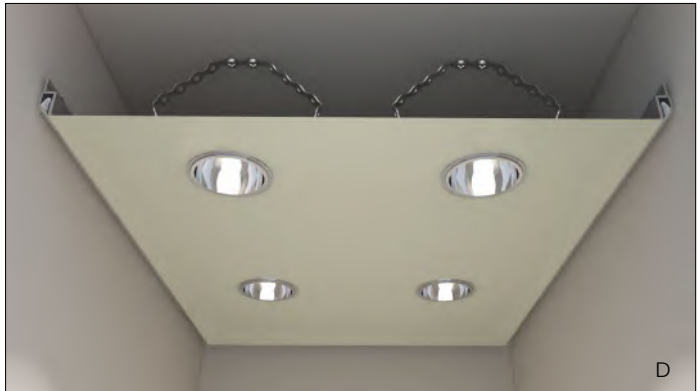
A



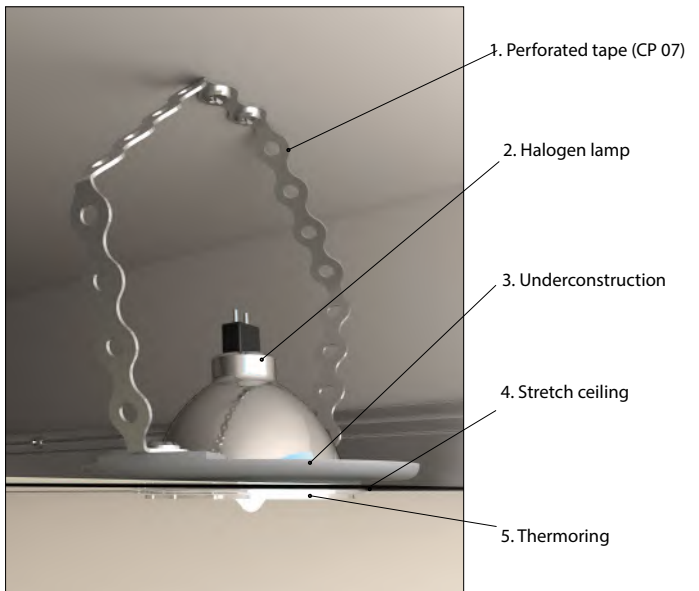
B



C



D



1. Perforated tape (CP 07)

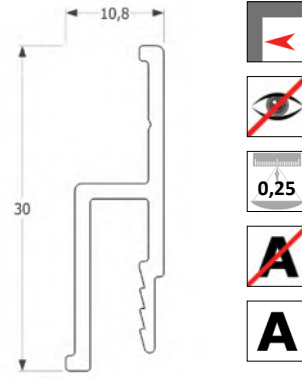
2. Halogen lamp

3. Underconstruction

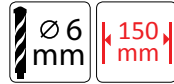
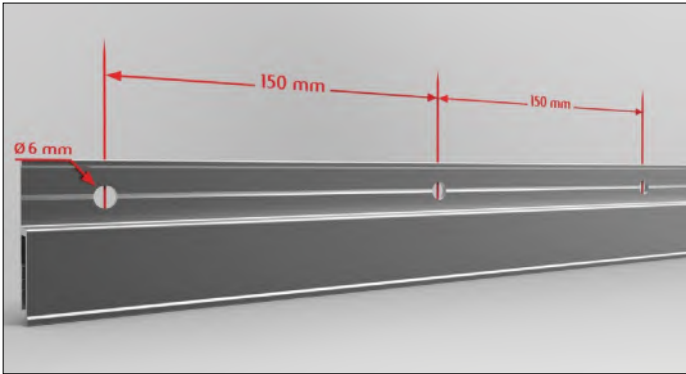
4. Stretch ceiling

5. Thermoring

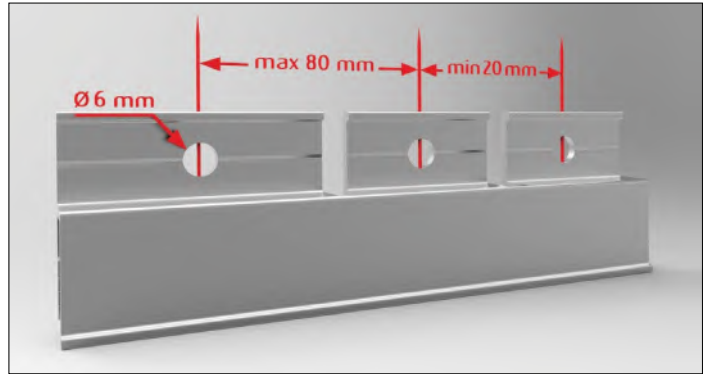
Aluminum wall profile 34x11 used with negative detail



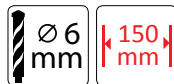
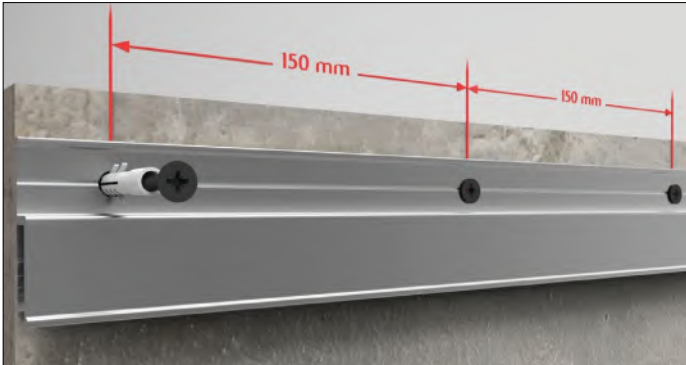
Fastening the profile to the straight surface



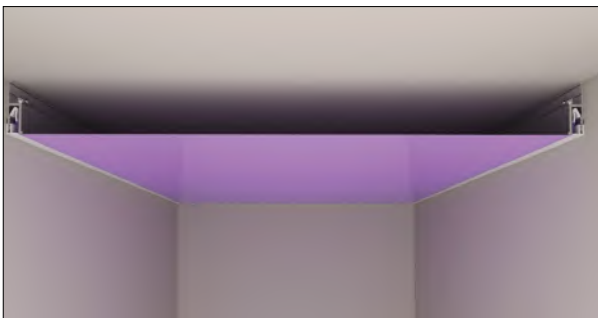
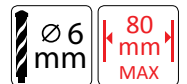
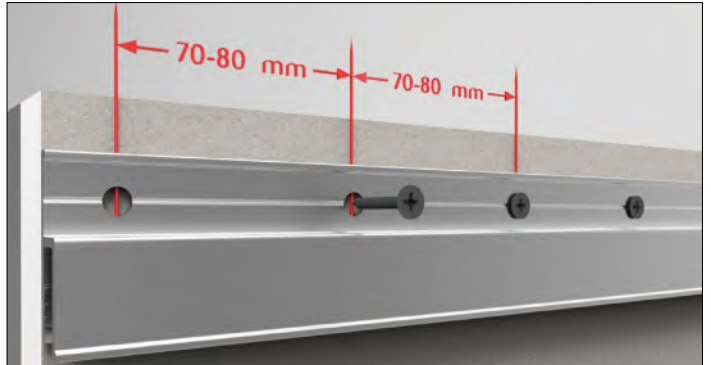
Pre-notched in the factory for easy adaptation on site to rounded and vaulted shape



Fastening the profile to the concrete wall



Fastening the profile to the plasterboard wall



Frank Merklinger
 Building IN OVATION Ltd
 Applauding advanced construction systems

Phone: +64 22 0865456
www.buildinginnovation.co.nz





ISET S.r.l.

Sede Legale e Uffici
Via Donatori di sangue, 9 - 46024 Moglia (MN)
Tel. e fax +39 (0)376 598963
iset@iset-italia.com www.iset-italia.eu

Cap. soc. i.v. € 10.200,00
Cod. Fisc. e P.IVA 02 332 750 369
Reg. Imprese 02 332 750 369
REA MN 0221098

CERTIFICATE OF COMPLIANCE

Certificado de Conformidade - Сертификат соответствия - Konformitätserklärung

1) APPLICANT:

Shanghai Foxygen Industrial Co., Ltd.
Shenpu Road 59, Shangzhiyuan Warp Knitting
Industrial Park, Baoshan District, Shanghai, China

2) CERTIFICATE NO.:

IT101320MN170314

TCF(S) NO.:

TR170217211

3) WITH REFERENCE TO EC DIRECTIVE APPLIED:

Regulation for the Marketing of
Construction Products R305/2011

HARMONIZED STANDARDS APPLIED:

EN 14716:2004

4) CERTIFICATION ISET MARK:



5) PRODUCT CHARACTERISTICS: PVC Stretch Ceiling Film

MODEL(S): Thickness: 0.18mm; Width: 3.2m, 5m

REMARK: The verification has been carried out on voluntary application of the manufacturer based only on the documents prepared and provided by the manufacturer itself. The product(s) satisfies the requirements of the Mark of ISET according to the ISET regulations. The manufacturer is responsible to maintain the internal production control to ensure the compliance of the product. ISET declines any liability with reference to any other noncompliance of documents, product or test report that have been submitted to evaluation. However, this verification doesn't imply assessment of the production of the product(s). Before putting into service of its product(s) on EU market and affixing the **CE** mark on the product the manufacturer is required to appoint a Notified Body to get the CE Certification and meet all the necessary law requirements according to the directive and accepted by the Notified Body. The manufacturer should be responsible for the results caused by improperly use this verification.

6) DATE OF ISSUE: 21/05/2019

DATE OF EXPIRE: 20/05/2022

CERTIFICATION MANAGER:

